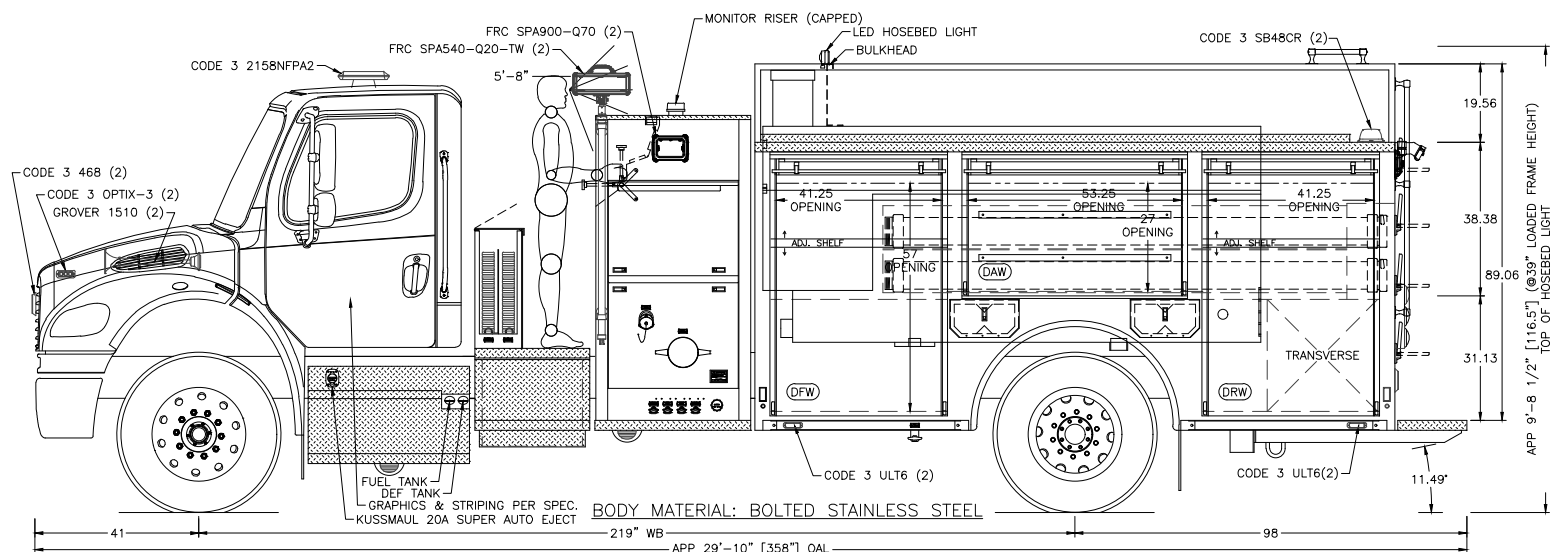
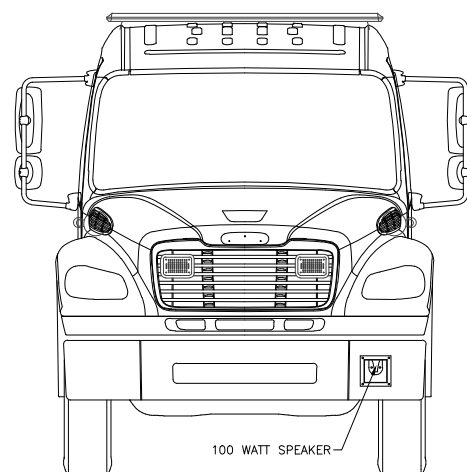
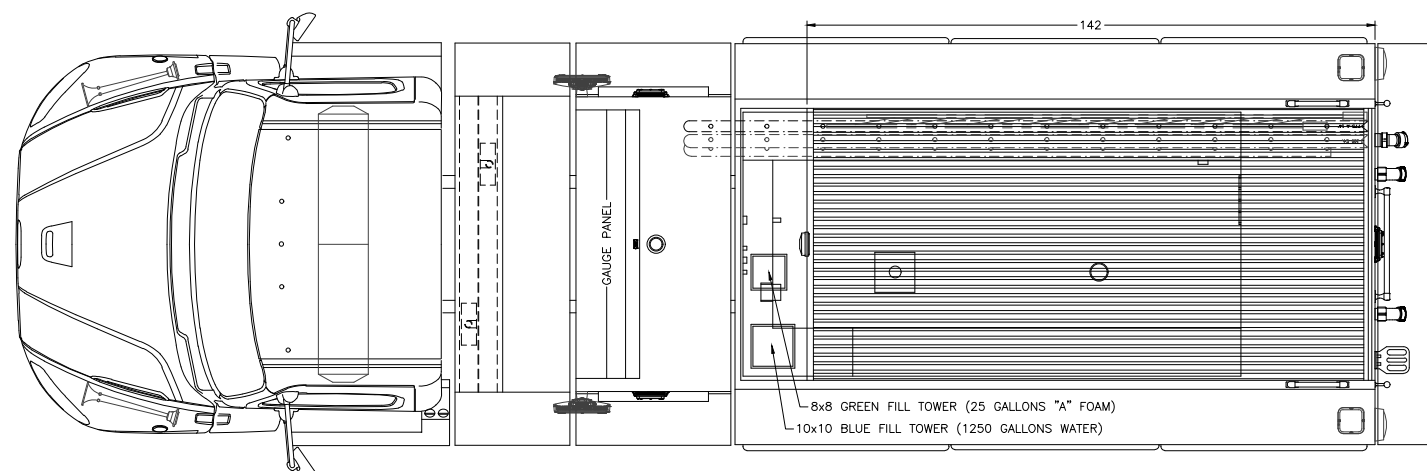


TREADBRITE TEXTURE NOT SHOWN IN TOP VIEW

REFERENCE SCALE IN INCHES

COMP.	HEIGHT	WIDTH	USABLE DEPTH		DIVIDE HEIGHT	FT'
			UPPER	LOWER		
DFW	67.12	47.88	14	26	28	35.35
DAW	37.12	63.75	14	-	-	19.18
DRW	67.12	44.00	14	26	28	32.49
PFW	67.12	47.88	14	26	28	35.35
PAW	37.12	63.75	14	-	-	19.18
PRW	67.12	44.00	14	26	28	32.49
R-1	70.12	44.00	-	30	-	53.56
HOSEBED	14	68	-	142	-	78.23
FRONT XLAY	25.75	4.62	-	73.75	-	5.08
REAR XLAY	25.75	4.62	-	73.75	-	5.08

LOCATION TO BE DETERMINED:  
SINGLE SHELF TRACK (4 COMPARTMENTS)  
12" DEEP ADJUSTABLE SHELF (4)  
SCBA BRACKET (2)



**NOTE:**  
DIMENSIONS SHOWN ARE APPROXIMATE AND ARE SUBJECT TO MINOR CHANGE AS MAY BE FOUND NECESSARY DURING CONSTRUCTION. MINOR DETAILS MAY NOT BE SHOWN. IF DISCREPANCIES EXIST BETWEEN THIS DRAWING AND THE WRITTEN SPECIFICATIONS PROVIDED BY TOYNE, THE WRITTEN SPECIFICATIONS SHALL PREVAIL.

ORIGINAL DRAWING	28FEB19	CHASSIS:	FREIGHTLINER M2 106	SCALE:	1/48	SHEET:	B
AS BUILT AJJ	18APR19	WB-CA-AF:	219"-153.4"-47" D17	CITY:	--	STATE:	--
		BODY MATL:	BOLTED STAINLESS STEEL	DLR:	TOY	CAD:	GROSSMAN
SIGNATURE:		PUMP:	HALE Q-FLO PLUS 1250	DATE:	28 FEB 2019	FILE:	12418-B
PRINT NAME:		TANK:	1250/25 UPF POLY-TANK III				
TITLE:	DATE:	FOAM SYSTEM:	PRE-PIPE				
		GENERATOR:	N/A				

**Toyne**  
Built to take the call.

BREDA, IA 51436  
800-648-3358  
WWW.TOYNE.COM

**DEMO 12715**  
CUSTOM PUMPER