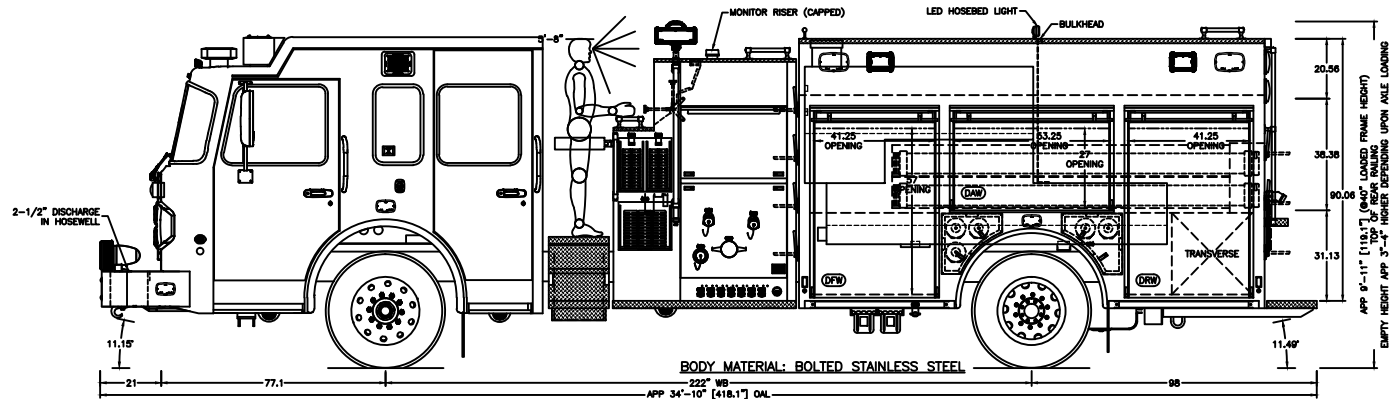
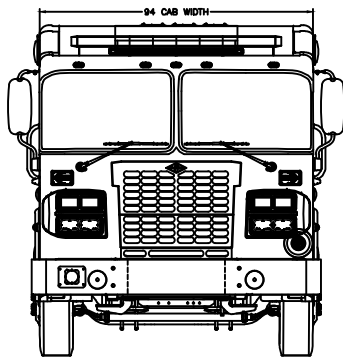
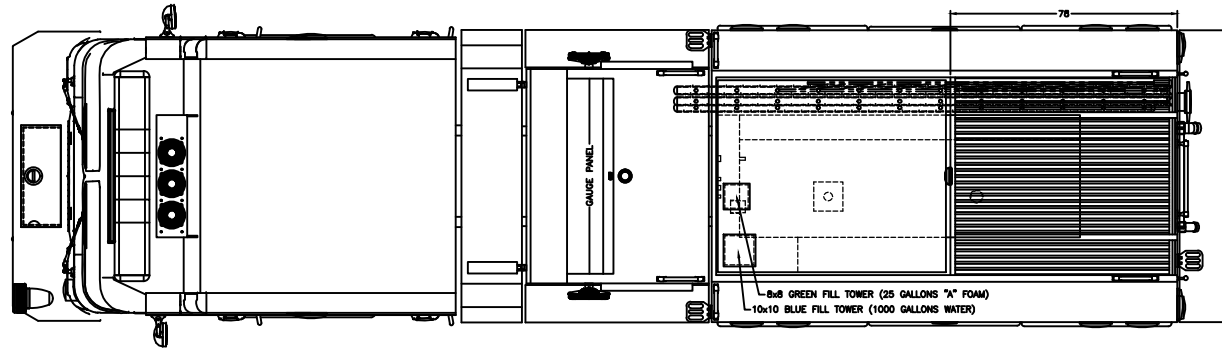


TREADBRITE TEXTURE NOT SHOWN IN TOP VIEW

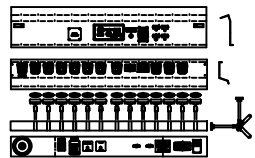
REFERENCE SCALE IN INCHES

COMP.	HEIGHT	WIDTH	USABLE DEPTH		DIVIDE	FT
			UPPER	LOWER		
DAW	67.12	47.88	14	26	28	35.35
DRW	37.12	63.75	14	-	-	19.18
DRW	67.12	44.00	14	26	28	32.49
PRW	67.12	47.88	14	26	28	35.35
PAW	37.12	63.75	14	-	-	19.18
PRW	67.12	44.00	14	26	28	32.49
R-1	38.12	44.00	-	30	-	29.11
D HOSEBED	32	12	-	-	78	17.33
M HOSEBED	48	40	-	-	78	86.66
F HOSEBED	30	12	-	-	78	16.25
F SPEEDLAY	16.12	7.5	-	-	73.75	5.12
R SPEEDLAY	16.12	7.5	-	-	73.75	5.12
B SPEEDLAY	11.12	17	-	-	73.75	8.06

LOCATION TO BE DETERMINED:
SINGLE SHELF TRACK (6 COMPARTMENTS)
12" DEEP ADJUSTABLE SHELF (4)
HORIZONTAL SOBA TRACKS (6 COMPARTMENTS)
250# ROLLOUT TRAY (1)



NOTE:
DIMENSIONS SHOWN ARE APPROXIMATE AND ARE SUBJECT TO MINOR CHANGE AS MAY BE FOUND NECESSARY DURING CONSTRUCTION. MINOR DETAILS MAY NOT BE SHOWN. IF DISCREPANCIES EXIST BETWEEN THIS DRAWING AND THE WRITTEN SPECIFICATIONS PROVIDED BY TOYNE, THE WRITTEN SPECIFICATIONS SHALL PREVAIL.



ORIGINAL DRAWING 26JUN18	CHASSIS: SPARTAN METROSTAR MFD 10" RR	SCALE: 1/66	SHEET: A
AS BUILT - RICK 23JAN19	WB-CA-AF: 222"-168"-47" D17	CITY: ??	
	BODY MATL: BOLTED STAINLESS STEEL	STATE: ??	
	PUMP: HALE QMAX 1750	DLR: ??	
	TANK: 1000/25 UPF POLY-TANK III	CAD: KOSTER	
	FOAM SYSTEM: PRE-PIPED	DATE: 26 JUNE 2018	
	GENERATOR: N/A	FILE: NE DEMO 4-A	

Toyne
Built to take the call.

BREDA, IA 51436
800-648-3358
WWW.TOYNE.COM

NE DEMO 4
CUSTOM PUMPER